

Ad Hoc

Antonio Citterio, 1994/2010



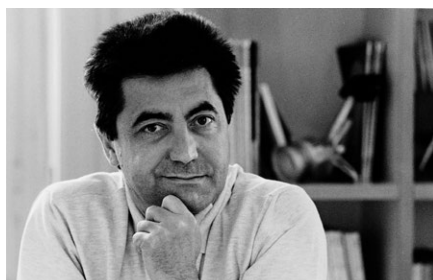
The Ad Hoc office furniture system was designed in collaboration with Antonio Citterio in 1994 and has been continuously updated and expanded ever since. It is both an archetype and a classic in the area of office furniture systems. The functional longevity and economic efficiency of Ad Hoc are due to its adaptability, high-quality materials and superior workmanship, as well as its timeless expression of technological elegance.

Ad Hoc is highly versatile, making it suited to a broad range of applications. As a modular system, it can be configured to suit individual requirements – right down to the smallest details. With individual tables

or groups of tables in various sizes, it fulfils all standard office requirements. Ad Hoc High Work utilises different legs to provide new options for healthier standing work postures. Ad Hoc Executive offers elegant solutions for management, and Ad Hoc Solitaires complete the range with conference and visitor tables.

The modular components of Ad Hoc provide customers with countless options for the widest variety of office environments. When the needs of a company change, the configuration can be adapted to new requirements simply by removing or exchanging the necessary modular elements.

The modular components of Ad Hoc can be used to configure almost any imaginable combination of sitting and standing workspaces. It offers custom solutions for the widest variety of office settings and types. When the needs of a company change, only the necessary modular elements have to be exchanged to adapt the configuration to new requirements.



Antonio Citterio

The architect and designer Antonio Citterio, who lives and works in Milan, has collaborated with Vitra since 1988. Together they have produced a series of office chairs and various office systems, as well as products for the Vitra Home Collection. The Citterio Collection is constantly being expanded.

1	Ad Hoc	6-7	Table tops and storage box	12	Dimensions, colours
2-3	Ad Hoc workstations	8-9	Dimensions, colours	13-15	Accessories
4-5	Ad Hoc High Work	10-11	Bases	16-18	Dimensions, colours, electrification

AD HOC WORKSTATIONS

vitra.

Ad Hoc provides solutions for every application. With this office furniture system, single and double workstations can be configured as well as three, four and six-person workspaces. This makes it possible to create open team environments that promote communication – or distinctly separate work areas.



Ad Hoc single workstation

Classic T-legs, chrome finish. Chairs: ID Air, Visavis 3.



Ad Hoc single workstation

with extension table and Classic legs (curved leg, single leg) in chrome. Chairs: ID Trim, Visasoft.



Ad Hoc single workstation

with height-adjustable curved aluminium legs, storage box, single screen and eStation. Chair: ID Soft.



Ad Hoc double workstation

with height-adjustable curved aluminium legs, accessory beam and stackable paper trays, CPU holder. Chairs: ID Soft.



Ad Hoc team workstation

with height-adjustable curved aluminium bench legs, storage boxes, double screens (mounted lengthwise), eStation and BELUX KOI. Chair: AC 4

AD HOC HIGH WORK

vitra.

Ad Hoc High Work is exclusively designed for work at standing height tables. If desired, the user can sit on a tall chair or stool. Switching between sitting and standing positions is more spontaneous and dynamic in comparison to height-adjustable tables, because no alterations have to be made. In teamwork and meeting situations, Ad Hoc High Work facilitates focused discussions at eye level – even if some participants are standing while others are sitting. Any Ad Hoc workspace configuration at normal table height can be raised to the standing level simply by exchanging the legs.



Ad Hoc High consultation workspace

with high curved aluminium legs, modesty panel and storage box. Chairs: Pivot High Stool, Tabouret Haut.



Ad Hoc double workstation

with height-adjustable curved aluminium bench legs, accessory beam, CPU-holders and eStation. Chair: .03 High.



Ad Hoc High team workstation

with high curved aluminium bench legs, accessory beam, beam adapters and insertable screen. Chair: Pivot High Stool.



Ad Hoc High team workstation

with high curved aluminium bench legs, storage boxes, double screens (mounted lengthwise and laterally), eStation and CPU holder. Chair: .03 High.



Ad Hoc High meeting table

Rectangular model for meetings. Additional meeting tables and visitor tables can be found under Ad Hoc Solitaires. Chair: Nelson Perch.



Table tops and extension tables

Surfaces in soft light melamine or light oak veneer, optional eStation electrification flap.



Extension tables

Add-on tables in widths of 40 or 60 cm. Add-on table for instalment next to storage boxes, 40 cm wide.



Storage box and add-on storage box

Personal storage adjacent to workspace, choice of open front or lockable sliding doors.

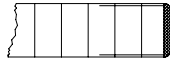
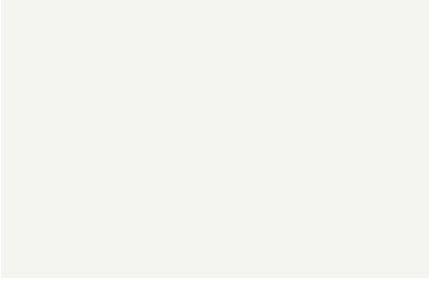
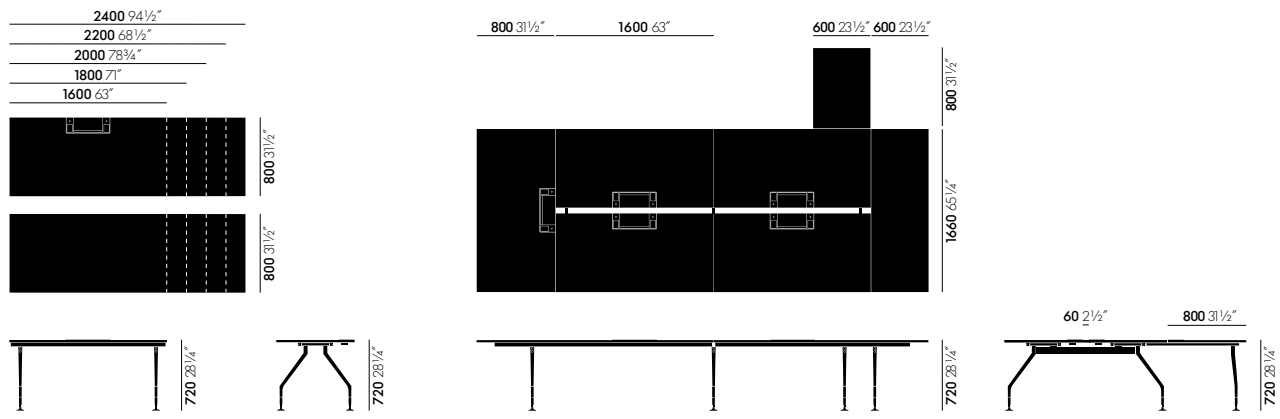


Table top melamine soft light

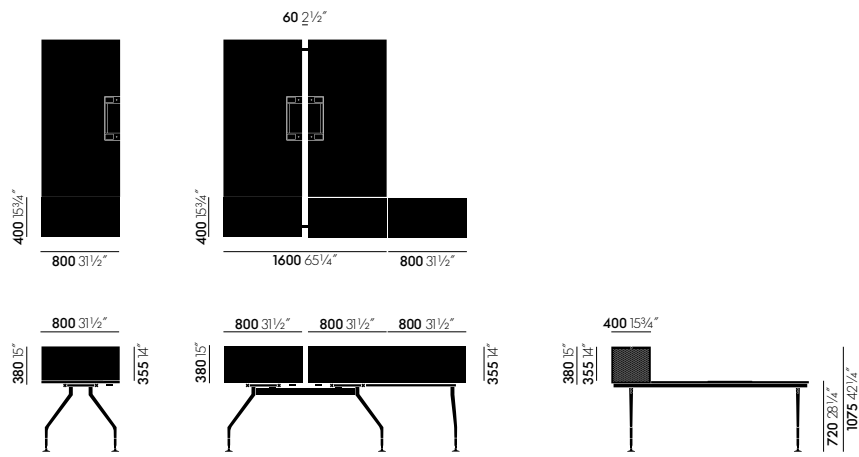
Table top with melamine resin coating,
ABS edge 3 mm, table thickness 25 mm

Table top light oak

Table top in light oak veneer,
veneer edge 2,5 - 3 mm, table thickness 25 mm



Workstations: table tops and extension tables

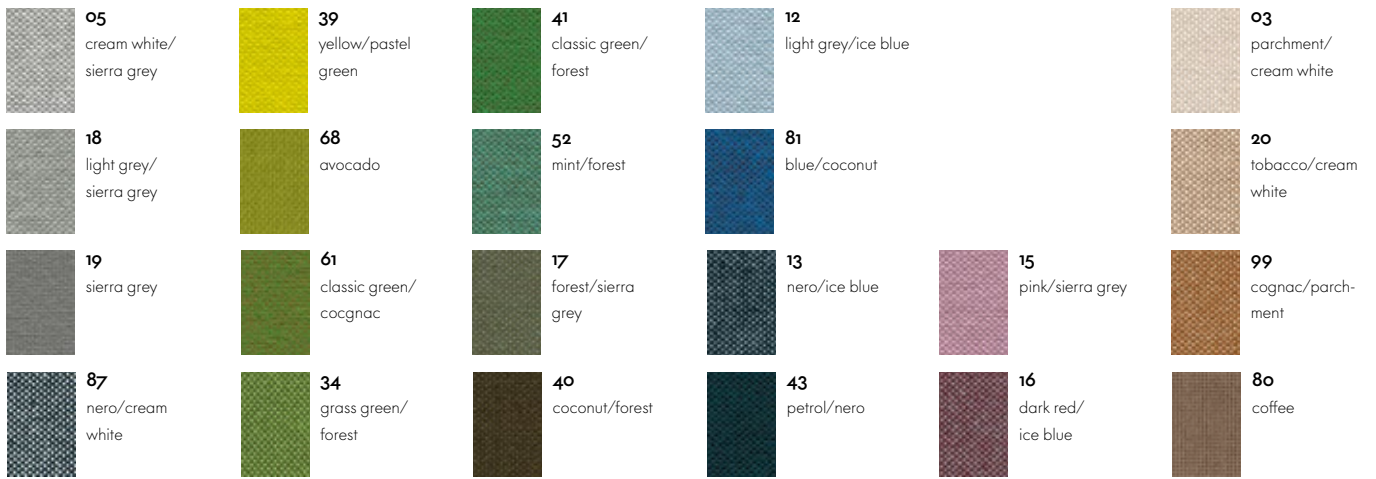


Workstations: storage boxes and add-on storage boxes

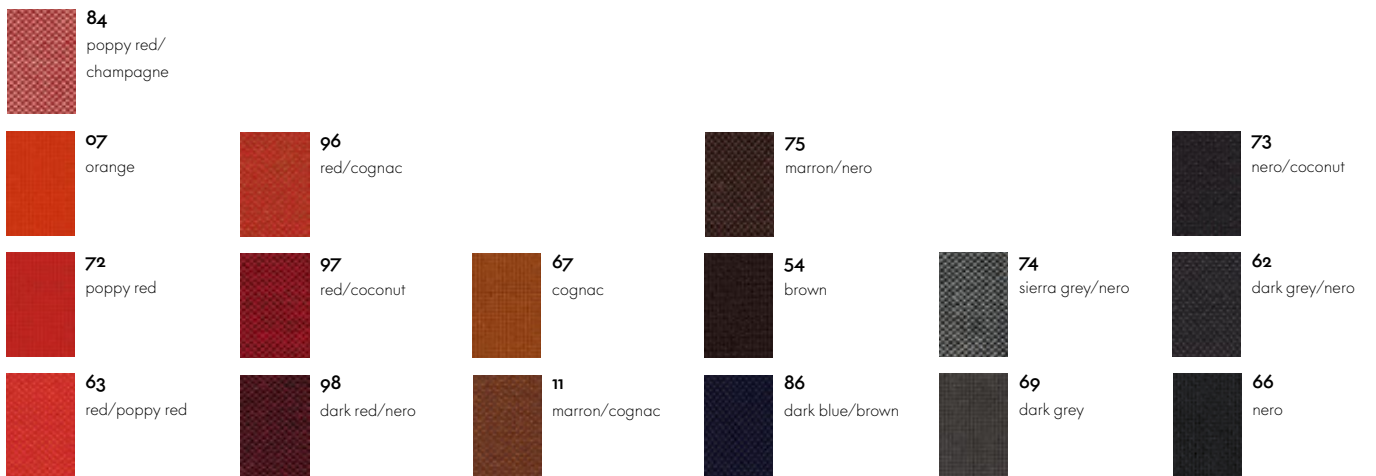


Table tops

Twill



Plano

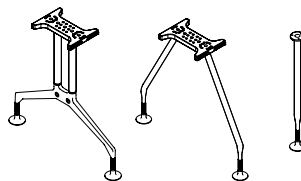


Plano



Classic legs

Chrome-plated steel, fixed height 720 mm



Types

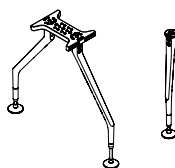
T-leg, curved leg, single leg



Aluminium legs

Polished or powder-coated in soft light

Height adjustment range 700-750 mm; optionally 650-850 mm



Types

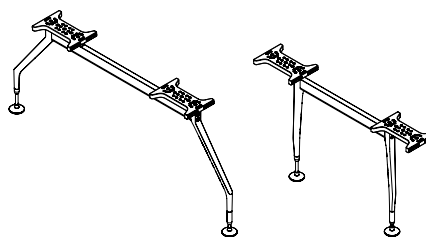
Curved leg, single leg



Aluminium bench legs

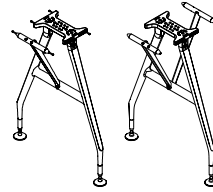
Polished or powder-coated in soft light

Height adjustment range 700-750 mm; optionally 650-850 mm



Types

Curved bench leg, straight bench leg

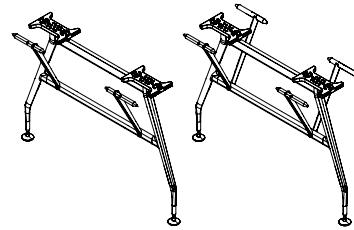


Aluminium legs,

high version Polished or powder-coated in soft light
Height adjustment range 1030-1080 mm; optionally 980-1180 mm.

Types

1 cross brace for end position; 2 cross braces for middle position



Aluminium bench legs, high version

Polished or powder-coated in soft light
Height adjustment range 1030-1080 mm; optionally 980-1180 mm

Types

1 cross brace for end position; 2 cross braces for middle position

1



1. Aluminium leg, standard version
height adjustment range 700-750 mm

2



2. Aluminium leg with height adjustment set
containing 10 short sleeves and adapters,
height adjustment range 650-750 mm

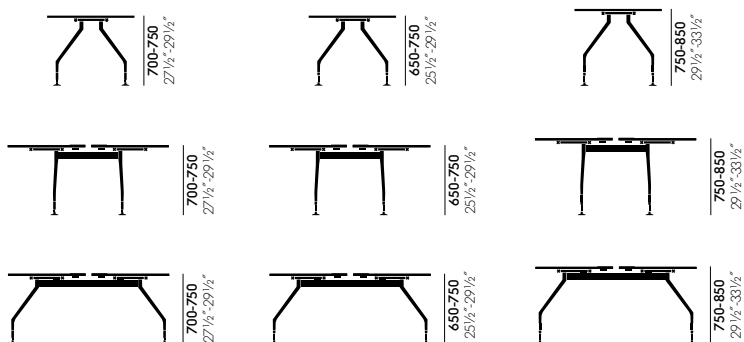
3



3. Aluminium leg with height adjustment set
containing 10 short sleeves and adapters,
height adjustment range 750-850 mm

DIMENSIONS

vitra.

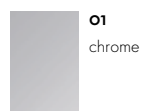
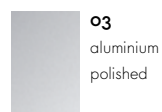


Standard aluminium legs, aluminium legs with short sleeve and aluminium legs with short sleeve and adapter



Aluminium legs, high version

SURFACES AND COLOURS



Aluminium base

Base Classic



Single screen

Fabric cover, acoustical privacy screen for single tables, incl. brackets, integrated modesty panel.



Side screen

Fabric cover, acoustical privacy screen, available for single or double tables.



Double Screen

Fabric cover, acoustical privacy screen for single tables or groups of tables (can be mounted lengthwise or laterally). The integrated accessory beam adds great stability and provides space for useful accessories.



Accessory beam

Strong aluminium profile for single tables or groups of tables, provides space for useful accessories



Modesty panel

For single tables, can be mounted directly or in combination with an accessory beam or double screen.



Hanging box

Not included in standard components. Please contact your Vitra sales representative.



- 1. Modesty panel mounted directly on table, side screen, file tray
- 3. Single screen, paper tray

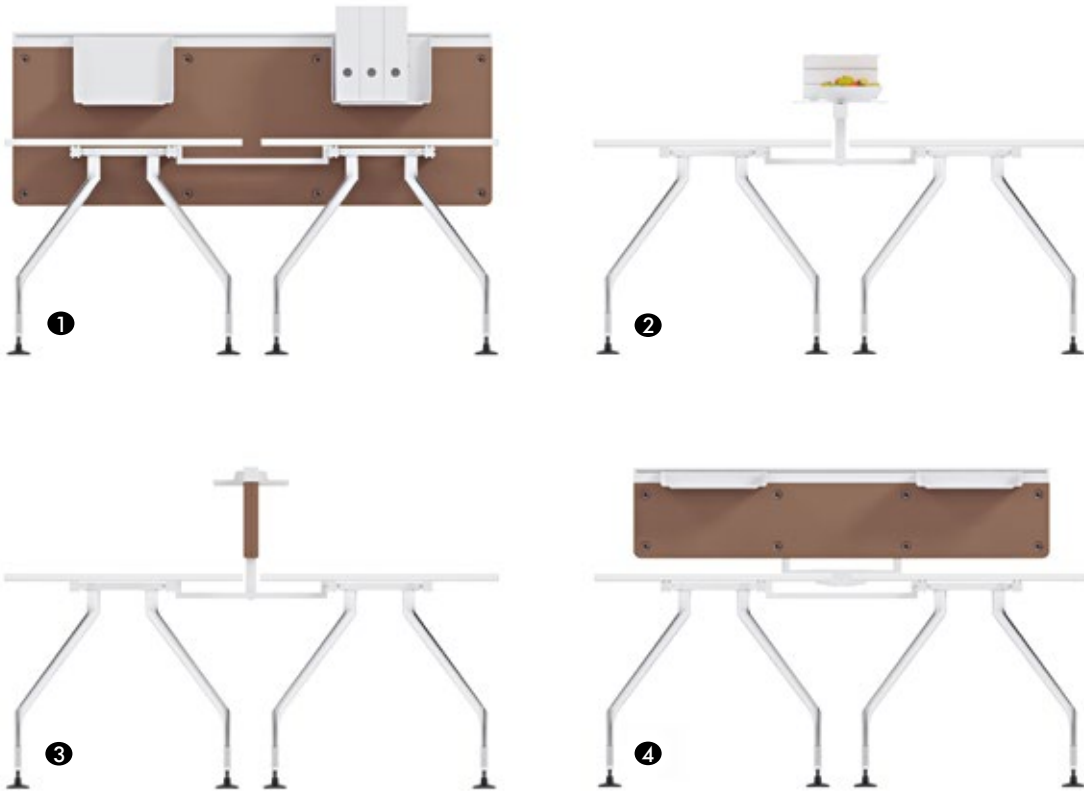
- 2. Bracket set for single table, accessory beam, modesty panel mounted on accessory beam, insertable screen
- 4. Bracket set for single table, double screen, utensil tray



- 1. **File tray**, for attachment to the accessory beam or for hanging on screens
- 2. **Paper tray**, stackable; for attachment to the accessory beam or for hanging on the accessory beam or screens



- 3. **Utensil tray** for hanging on the accessory beam or screens
- 4. **Tray**, flat shelf for click-on mounting on accessory beam
- 5. **Beam adapter**, mounting bracket for monitor arms or desk lamps



1. Connector set, side screen, file tray

3. Connector set, double screen (mounted lengthwise), utensil tray

2. Connector set, accessory beam, flat tray and paper tray

4. Connector set, double screen (mounted laterally), lateral bracket set, paper trays

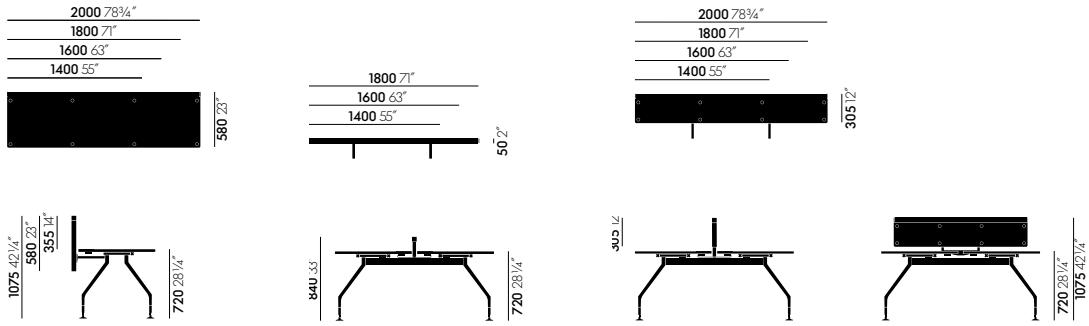


1. **File tray** for attachment to the accessory beam or for hanging on screens

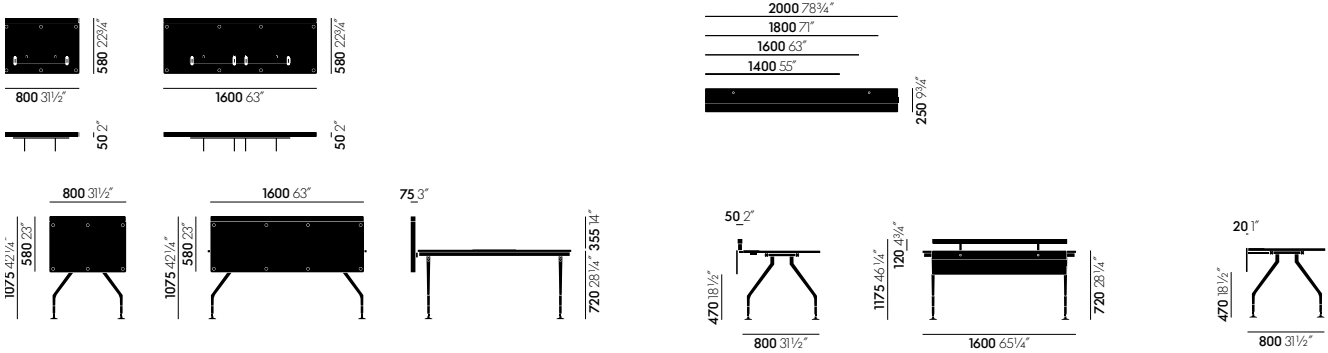
2. **Paper tray** stackable; for attachment to the accessory beam or for hanging on the accessory beam or screens

3. **Utensil tray** for hanging on the accessory beam or screens

DIMENSIONS

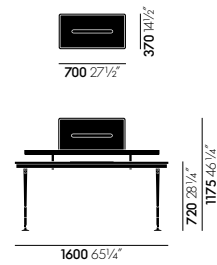


Single screen, accessory beam, double screen (mounted lengthwise or laterally)



Side screen for single and double tables

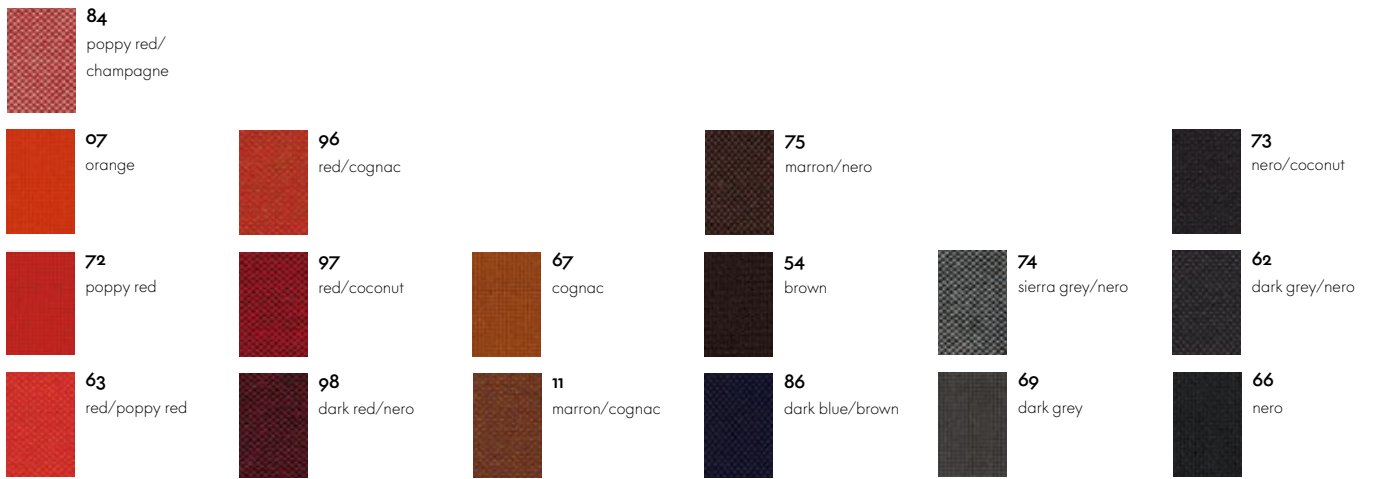
Modesty panel



Insertable screen



Plano



Plano



Accessory beam

Accessories

Aluminium base

Base Classic



eStation standard version

Electrification flap with cushioned closure, provides easy accessibility to cable baskets and the under-table outlet Tens Hoc.

eStation with optional modules

For instalment in side flaps: optional Current Module, available types Power or RJ45.



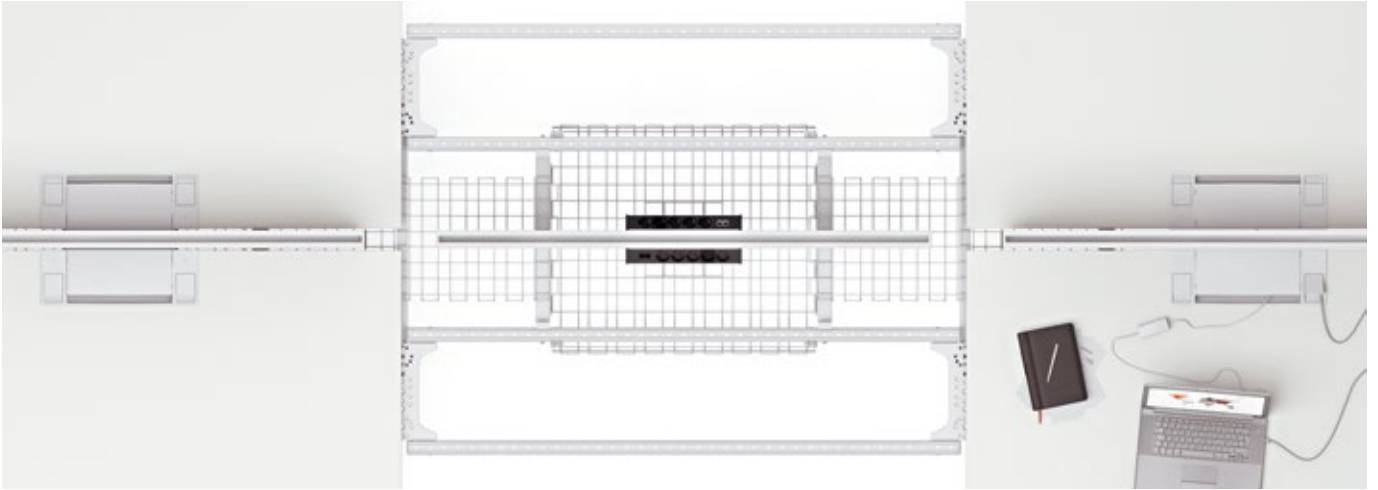
Ad Hoc single workstations

Electrification example*

- 1 Single screen
- 2 Storage box with sliding doors
- 3 MBE mobile pedestal
- 4 CPU holder
- 5 eStation
- 6 Cable basket for single workstation

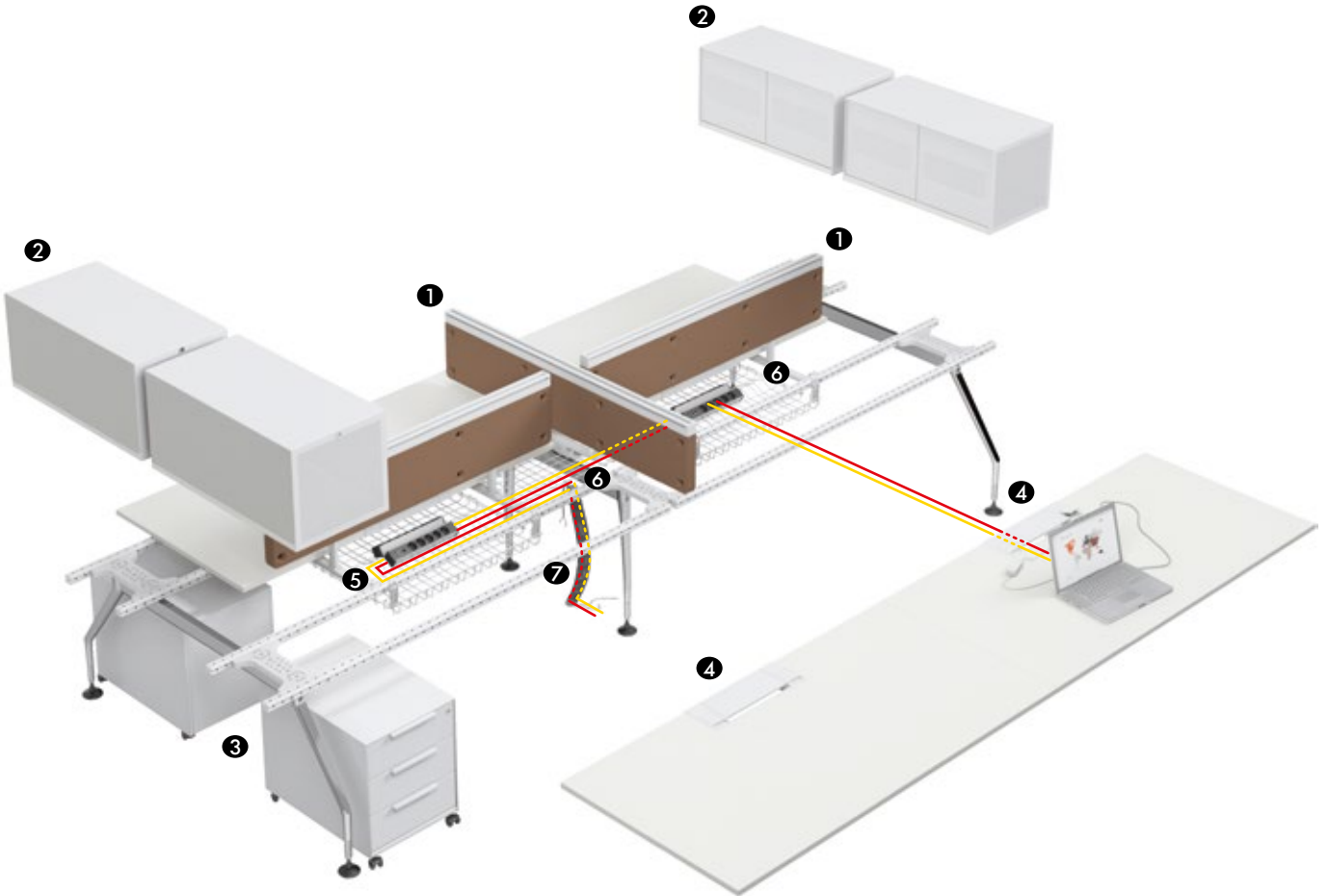
- 7 Cable net, long

* Please observe local electrical regulations!



Example for under-table electrification of table groups:
 cable basket for double workstation, connection cable basket,

Tens Hoc under-table outlet. Easy table-top access with eStation electrification flap



Ad Hoc team workstations

Electrification example*

- | | | |
|-----------------------------------|--|--|
| 1. Double screen | 4. eStation | 7. Cable net, long |
| 2. Storage box with sliding doors | 5. Cable basket for double workstation | * Please observe local electrical regulations! |
| 3. MBE mobile pedestal | 6. Connection cable basket | |



The Vitra Configuration System (VCS) software contains comprehensive information on all Vitra products and assists you in the preparation of plans and offers. VCS is available through your sales representative or at vcs@vitra.com.

Planning data, further information and illustrations can be found on the Vitra extranet for architects: www.vitra.com/extranet. To verify your colour selections, please order the Vitra Colour and Material Sample Box.

